


1064nm 3W Laser Diode TO3 Package

1060nm~1064nm 3W High Power LD | TO Can Package | Square Beam Optional

WSLD-1064-003-3

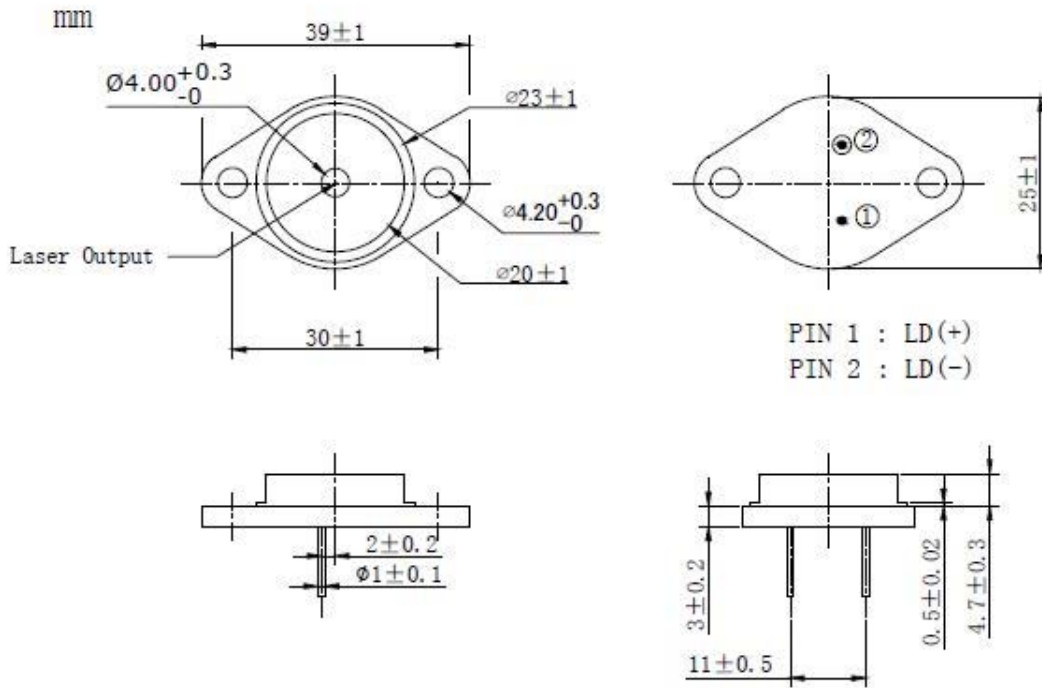
Wavespectrum Laser Group

www.wavespectrum-laser.com

1064nm Laser Diode		Wavespectrum Laser Group	
Reverse Voltage	V_r	2.0	V
Operating Temperature	T_{op}	+10~+30	°C
Storage Temperature	T_{stg}	-20~+80	°C
Lead soldering temperature (10 sec.)	T_{is}	260	°C
Features: <ul style="list-style-type: none"> • 1064nm • CW Mode • 3W Output Power • TO3 Package 			
Applications: <ul style="list-style-type: none"> • Medical Laser Treatment • Night Version • Others 			
Specifications		WSLD-1064-003-3	
		Min	Type
Center Wavelength@25°C		+/-5nm	1064nm
Spectral Width (FWHM)		----	4.0nm
Output Power		----	3W
Emitter Area		100x1μm	
Beam Divergence (FWHM)		----	32°± x 8°//
Temperature Coefficient of Wavelength		----	0.4nm / °C
Slope Efficiency		----	0.9mW/mA
Threshold Current (Typ.)		----	0.3A
Operating Current (Typ.)		----	3.6A
Operating Voltage		----	1.7V
Package Style		TO3	



T03 Package



**Electrically shorten LD module and store in non-extreme conditions.
 Suggest using the constant current power supply.**



Wavespectrum Laser Group
www.wavespectrum-laser.com
sales@wavespectrum-laser.com

